

# IE3 系列 (铸铁壳) 韩国市场三相异步电动机

## IE3 SERIES CAST IRON THREE PHASE ASYNCHRONOUS MOTOR FOR KOREA MARKET

IE3 시리즈(주철 케이스) 한국 시장 삼상이보전기



### 产品介绍 PRODUCT INTRODUCTION

IE3 系列 (中心高H80-355mm, 0.18-315kW) 电动机是全封闭、自扇冷式鼠笼型的高效三相异步电动机, 效率更高, 起动转矩大, 且提高了防护等级(IP55、IP56、IP66), 提高了绝缘等级(F级、H级、C级)B级考核, 降低了噪声。用负载噪声考核, 其电机结构更加合理, 外形新颖美观, 用于水泵、风机、减速机、矿山机械等通用机械行业。

IE3 series (center height H80-355mm, 0.18-315kW) motor is a fully enclosed, self-fan-cooled squirrel cage type high-efficiency three phase asynchronous motor, higher efficiency, large starting torque, and improve the protection level (IP55, IP56, IP66), improve the insulation level (F, H, C) class B assessment, Reduced noise. With the load noise assessment, the motor structure is more reasonable, the appearance is novel and beautiful, and it is used in the general machinery industry such as water pump, fan, gearbox, mining machine.

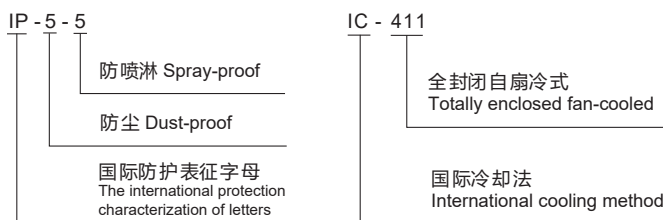
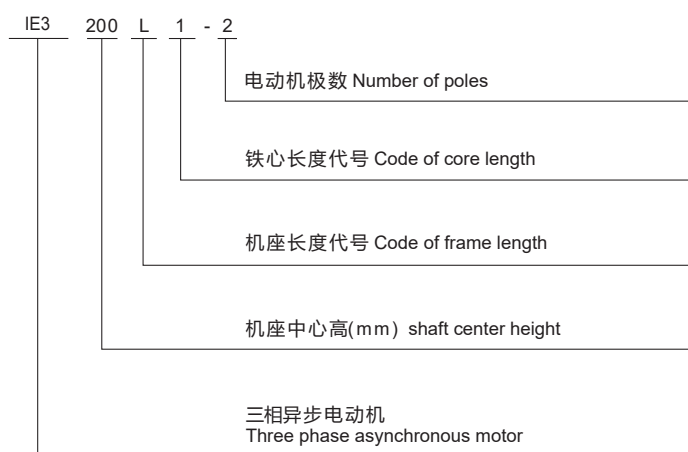
### 使用条件

- 环境空气温度: -15°C ~ +40°C
- 海拔: 不超过1000米
- 电压: 220/380V 380/660V
- 频率: 60Hz
- 接法: 3KW及以下规格为Y接法, 4KW及以上规格为Δ接法
- 工作方法: 连续(S1)
- 绝缘等级: F级、H级、C级, 绕组定子温升考核80K
- 防护等级: 机壳IP55、IP56、IP66。
- 冷却方式: IC411

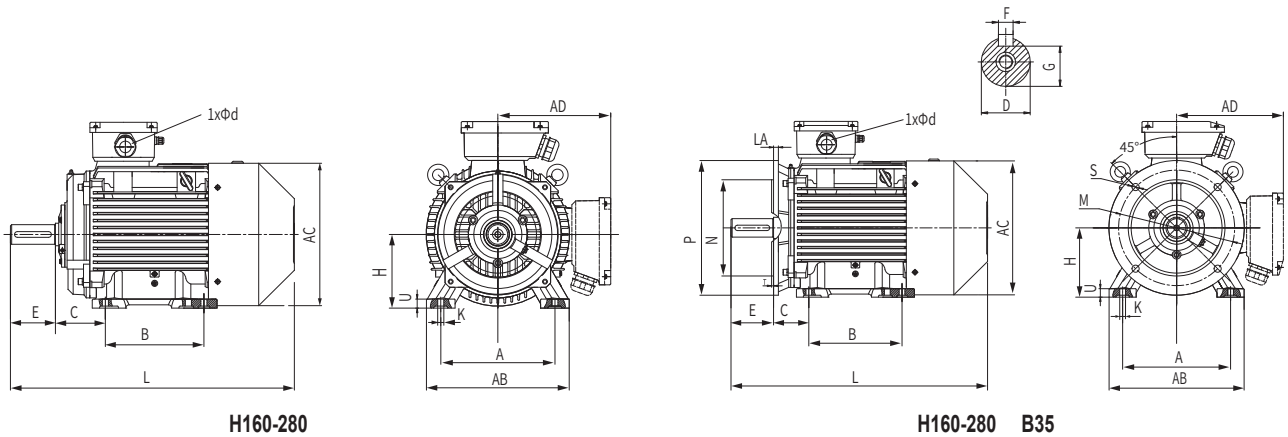
### OPERATING CONDITIONS

- Ambient air temperature: -15°C ~ +40°C
- Altitude: No more than 1000 meters
- Voltage: 220/380V 380/660V  
Frequency: 60Hz
- Connection method: 3KW and below are star (Y) connection method, 4KW and above are delta (Δ) connection
- Duty: Continuous (S1)
- Insulation Class: F, H, C, winding stator temperature rise assessment 80K
- Protection grade: IP55, IP56, IP66.
- Cooling method: IC411

### 代号说明 EXPLANATION OF TYPE DESIGNATION



## IE3 安装及外形尺寸 Mounting and Overall Dimensions



机座号 Frame Size	输出功率 Output (kW)		安装尺寸 Mounting Dimensions (mm)																	外形尺寸 Overall Dimensions (mm)			
	2P	4P	A	B	C	D	E	F	G	H	K	U	N	T	M	P	S	φd	AB	AC	AD	L	
160M	11/15	11	254	210	108	42k6	110	12	37	160	4-φ14.5	20	250	5	300	350	4-φ18.5	45	314	314	287	610	
160L	18.5	15	254	254	108	42k6	110	12	61	160	4-φ14.5	20	250	5	300	350	4-φ18.5	45	314	314	287	654	
180M	22	18.5	279	241	121	48k6	110	14	42.5	180	4-φ14.5	22	250	5	300	350	4-φ18.5	45	349	354	306	686	
180L	--	22	279	279	121	48k6	110	14	42.5	180	4-φ14.5	22	250	5	300	350	4-φ18.5	45	349	354	306	724	
180L	--	30	279	279	121	55m6	110	14	42.5	180	4-φ14.5	22	250	5	300	350	4-φ18.5	45	349	354	306	724	
200L	30/37/45	--	318	305	133	55m6	110	16	49	200	4-φ18.5	25	300	5	350	400	4-φ18.5	80	388	396	335	769	
200L	--	30/37/45	318	305	133	60m6	140	18	63	200	4-φ18.5	25	300	5	350	400	4-φ18.5	80	388	396	335	799	
225S	--	37	356	286	149	65m6	140	18	58	225	6-φ18.5	28	350	5	400	450	8-φ18.5	80	431	445	356	823	
225M	45/55	--	356	286/311	149	55m6	110	16	49	225	6-φ18.5	28	350	5	400	450	8-φ18.5	80	431	445	356	818	
225M	--	45/55	356	286/311	149	65m6	140	18	68	225	6-φ18.5	28	350	5	400	450	8-φ18.5	80	431	445	356	848	
250M	55/75/90	--	406	311/349	168	55m6	110	16	4	250	6-φ24	28	450	5	500	550	8-φ18.5	80	484	484	381	879	
250M	--	55/75/90	406	311/349	168	75m6	140	20	67.5	250	6-φ24	30	450	5	500	550	8-φ18.5	80	484	484	381	909	
280S	75	--	45	368	190	55m6	110	16	49	280	6-φ24	30	450	5	500	550	8-φ18.5	80	542	546	408	949	
280S	--	75	15	368	190	85m6	170	22	76	280	6-φ24	35	450	5	500	550	8-18.5	80	542	546	408	1009	
280M	90/110/132	--	15	368/419	190	75m6	110	16	49	280	6-φ24	35	450	5	500	550	8-φ18.5	80	542	546	408	1000	
280M	--	90/110/132	15	368/419	190	95m6	170	22	76	280	6-φ24	35	450	5	500	550	8-φ18.5	80	542	546	408	1060	
315S	110	--	508	406	216	75m6	140	20	67.5	315	6-φ28	45	550	6	600	660	8-φ24	80	628	620	521	1193	
315S	--	110	508	406	216	95m6	170	25	86	315	6-φ28	45	550	6	600	660	8-φ24	80	628	620	521	1223	
315M	132	--	508	457/508	216	75m6	140	20	67.5	315	6-φ28	45	550	6	600	660	8-φ24	80	628	620	521	1303	
315M	--	132	508	457/508	216	95m6	170	25	86	315	6-φ28	45	550	6	600	660	8-φ24	80	628	620	521	1333	
315L	160/200	--	508	457/508	216	75m6	140	20	67.5	315	6-φ28	45	550	6	600	660	8-φ24	80	628	620	521	1303	
315L	--	160/220	508	457/508	216	95m6	170	25	86	315	6-φ28	45	550	6	600	660	8-φ24	80	628	620	521	1333	
355ML	250/315	--	610	560/630	254	75m6	140	20	67.5	355	6-φ28	52	680	6	740	800	8-φ24	--	726	701	--	1509	
355ML	--	250/315	610	560/630	254	95m6	170	25	86	355	6-φ28	52	680	6	740	800	8-φ24	--	726	701	--	1539	

## IE3 技术参数 TECHNICAL DATA

### SPEED 3600RPM 2POLE 60Hz

型号 Model	额定功率 Rated Current		额定转速 Speed rpm	额定电流 Rated Current (A)			效率 Efficiency $\eta$ (%)	功率因数 Power factor $\cos\Phi$	额定转矩 Rated Torque N·m	堵转转矩 额定转矩 Tst/Tn	最大转矩 额定转矩 Tmax/Tn	启动电流 额定电流 Ist/In
	kW	HP		220V	380V	660V						
IE3-160M1-2	11	15	3528	35.6	20.6	11.9	91.0	0.89	29.8	2.4	4.1	9.1
IE3-160M2-2	15	20	3522	48.6	28.1	16.2	91.0	0.89	40.7	2.3	3.8	8.6
IE3-160L-2	18.5	25	3516	59.5	34.4	19.8	91.7	0.89	50.2	2.3	3.7	8.7
IE3-180M-2	22	30	3534	70.7	41.0	23.6	91.7	0.89	59.5	3.3	3.8	8.8
IE3-180L-2	30	40	3540	95.7	55.4	31.9	92.4	0.89	80.9	2.0	2.3	7.6
IE3-200L1-2	30	40	3540	95.7	55.4	31.9	92.4	0.89	80.9	2.6	3.5	8.5
IE3-200L2-2	37	50	3540	117.3	67.9	39.1	93.0	0.89	99.8	2.8	3.5	8.9
IE3-200L3-2	45	60	3564	141.8	82.1	47.3	93.6	0.89	121	3.2	3.6	9.5
IE3-225M-2	45	60	3564	141.8	82.1	47.3	93.6	0.89	121	2.7	3.6	9.1
IE3-225M2-2	55	75	3558	173.3	100.3	57.8	93.6	0.89	148	2.0	2.3	7.7
IE3-250M-2	55	75	3558	173.3	100.3	57.8	93.6	0.89	148	2.5	3.7	8.8
IE3-250M2-2	75	100	3564	235.0	136.1	78.3	94.1	0.89	201	2.8	3.2	9.0
IE3-250M3-2	90	125	3564	279.4	161.7	93.1	95.0	0.89	241	3.2	3.6	9.5
IE3-280S-2	75	100	3564	235.0	136.1	78.3	94.1	0.89	201	2.4	2.7	7.4
IE3-280M-2	90	125	3564	279.4	161.7	93.1	95.0	0.89	241	2.4	2.7	7.1
IE3-280M2-2	110	150	3570	337.6	195.5	112.5	95.0	0.90	294	2.6	3.2	7.9
IE3-280M3-2	132	180	3570	403.5	233.6	134.5	95.4	0.90	353	2.8	3.3	8.1
IE3-315S-2	110	150	3570	337.6	195.5	112.5	95.0	0.90	294	2.1	2.5	7.1
IE3-315M-2	132	180	3570	403.5	233.6	134.5	95.4	0.90	353	2.0	2.5	7.1
IE3-315L1-2	160	220	3570	483.7	280.0	161.2	95.4	0.91	428	1.9	2.5	7.2
IE3-315L2-2	200	250	3570	602.1	348.6	200.7	95.8	0.91	535	2.0	2.6	7.2
IE3-355M-2	250	340	3576	752.6	435.7	250.9	95.8	0.91	668	1.7	2.3	7.2
IE3-355L-2	315	430	3576	948.3	549.0	316.1	95.8	0.91	841	1.7	2.3	7.2

## IE3 技术参数 TECHNICAL DATA

### SPEED 1800RPM 4POLE 60Hz

型号 Model	额定功率 Rated Current		额定转速 Speed rpm	额定电流 Rated Current (A)			效率 Efficiency $\eta$ (%)	功率因数 Power factor $\cos\Phi$	额定转矩 Rated Torque N·m	堵转转矩 额定转矩 Tst/Tn	最大转矩 额定转矩 Tmax/Tn	启动电流 额定电流 Ist/In
	kW	HP		220V	380V	660V						
IE3-160M-4	11	15	1752	36.8	21.3	12.3	92.4	0.85	60.0	2.4	2.6	7.6
IE3-160L-4	15	20	1752	49.2	28.5	16.4	93.0	0.86	81.8	3.1	3.1	9.2
IE3-180M-4	18.5	25	1758	60.3	34.9	20.1	93.6	0.86	100	3.0	3.7	9.6
IE3-180L-4	22	30	1758	71.7	41.5	23.9	93.6	0.86	120	2.9	3.6	9.0
IE3-180L2-4	30	40	1770	97.3	56.3	32.4	94.1	0.86	162	3.3	3.8	9.6
IE3-200L-4	30	40	1770	97.3	56.3	32.4	94.1	0.86	162	2.6	3.0	9.6
IE3-200L2-4	37	50	1776	119.5	69.2	39.8	94.5	0.86	199	2.8	3.2	8.4
IE3-200L3-4	45	60	1776	144.6	83.7	48.2	95.0	0.86	242	2.9	3.3	8.7
IE3-225S-4	37	50	1776	119.5	69.2	39.8	94.5	0.86	199	3.5	3.3	9.7
IE3-225M-4	45	60	1776	144.6	83.7	48.2	95.0	0.86	242	3.6	3.2	9.6
IE3-225M2-4	55	75	1782	175.9	101.9	58.6	95.4	0.86	295	3.4	3.2	9.4
IE3-250M-4	55	75	1782	175.9	101.9	58.6	95.4	0.86	296	3.4	3.6	9.0
IE3-250M2-4	75	100	1776	234.5	135.7	78.2	95.4	0.88	403	3.4	3.8	9.7
IE3-250M3-4	90	125	1782	281.3	162.9	93.8	95.4	0.88	482	3.3	3.7	9.7
IE3-280S-4	75	100	1776	234.5	135.7	78.2	95.4	0.88	403	2.8	3.2	9.0
IE3-280M-4	90	125	1782	281.3	162.9	93.8	95.4	0.88	482	2.4	2.8	8.0
IE3-280M2-4	110	150	1776	342.4	198.2	114.1	95.8	0.88	591	3.2	3.6	9.6
IE3-280M3-4	132	180	1776	410.9	237.9	137.0	95.8	0.88	710	2.8	3.3	8.4
IE3-315S-4	110	150	1776	342.4	198.2	114.1	95.8	0.88	591	2.3	2.7	8.2
IE3-315M-4	132	180	1776	409.2	236.9	136.4	96.2	0.88	710	2.3	2.8	8.1
IE3-315L1-4	160	220	1776	490.4	283.9	163.5	96.2	0.89	860	2.3	2.7	7.8
IE3-315L2-4	200	250	1776	613.0	354.9	204.3	96.2	0.89	1075	2.1	2.5	7.3
IE3-355M-4	250	340	1788	757.8	438.7	252.6	96.2	0.90	1335	2.0	2.3	6.4
IE3-355L-4	315	430	1788	954.8	552.8	318.3	96.2	0.90	1682	2.3	2.5	7.5