

# MSIE3 系列 (铝壳) 韩国市场三相异步电动机

## MSIE3 SERIES (ALUMINUM HOUSING) THREE PHASE ASYNCHRONOUS MOTOR FOR KOREA MARKET

MSIE3 시리즈 3상(알루미늄 케이스) 한국 시장을 향한 비동기 모터



### 产品介绍 PRODUCT INTRODUCTION

该系列电动机是专门为韩国市场设计三相异步电动机，拥有KC产品安全认证。

MS电机拥有高性能、操作安全可靠、外观优美、便于保养、低噪音、振动小并且有重量轻、结构简单等优点。本系列电动机适用于减速机、风机、水泵、切割机、高压清洗机等。

MSIE3 series of motors is specifically designed for the Korea market three-phase asynchronous motors with KC product safety certification. MS motor has the advantages of high performance, safe and reliable operation, beautiful appearance, easy maintenance, low noise, low vibration, light weight and simple structure. This series of motor is suitable for gearbox, fan, water pump, cutting machine, high pressure washer etc.

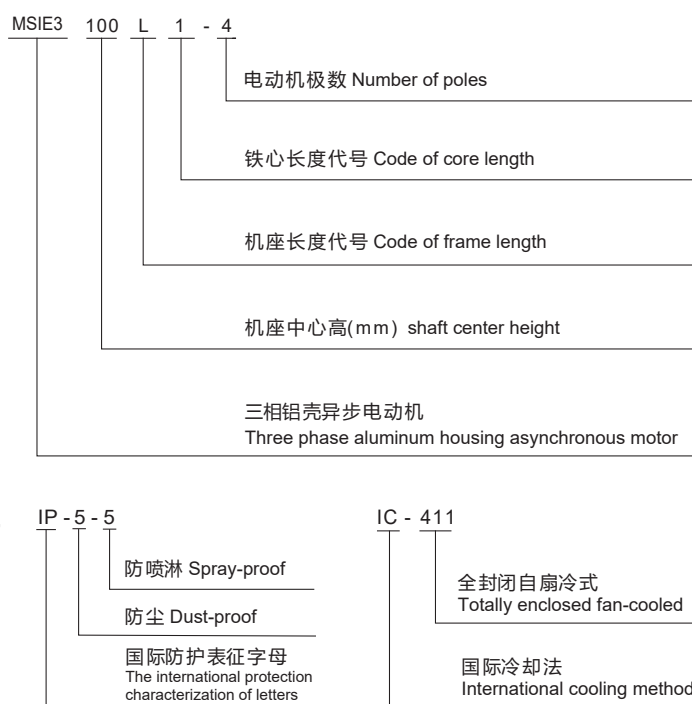
### 使用条件

- 环境空气温度: -15°C ~ +40°C
- 海拔: 不超过1000米
- 电压: 220/380V 380/660V
- 频率: 60Hz
- 接法: 3KW及以下规格为Y接法, 4KW及以上规格为Δ接法
- 工作方法: 连续(S1)
- 绝缘等级: F级、H级、C级, 绕组定子温升考核80K
- 防护等级: 机壳IP55、IP56、IP66
- 冷却方式: IC411

### OPERATING CONDITIONS

- Ambient air temperature: -15°C ~ +40°C
- Altitude: No more than 1000 meters
- Voltage: 220/380V 380/660V
- Frequency: 60Hz
- Connection method: 3KW and below are star (Y) connection method, 4KW and above are delta (Δ) connection
- Duty: Continuous (S1)
- Insulation Class: F, H, C, winding stator temperature rise assessment 80K
- Protection grade: IP55, IP56, IP66
- Cooling method: IC411

### 代号说明 EXPLANATION OF TYPE DESIGNATION



## MSIE3 技术参数 TECHNICAL DATA

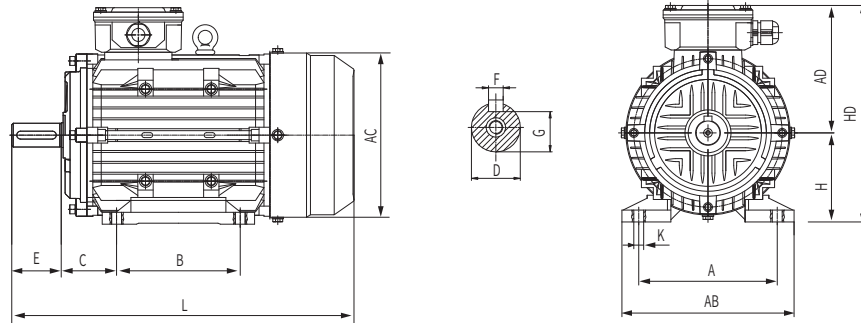
### SPEED 3600RPM 2POLE 60Hz

型号 Model	额定功率 Rated Power		额定转速 Rated Speed rpm	额定电流 Rated Current (A) 60Hz			效率 Efficiency $\eta$ (%) 60Hz			功率因数 Power factor $\cos\phi$			额定 转矩 Tn N.m	堵转转矩 额定转矩 Tst/Tn	最大转矩 额定转矩 Tmax/Tn	启动电流 额定电流 Ist/In
	kW	HP		220V	380V	660V	100%	75%	50%	100%FL	75%FL	50%FL				
MSIE3-801-2	0.75	1	3480	3.12	1.80	1.04	77.0	80.0	76.5	0.82	0.79	0.72	2.06	2.3	2.8	8
MSIE3-802-2	1.1	1.5	3492	4.14	2.40	1.38	84.0	83.9	81.5	0.83	0.80	0.74	301	2.6	3	8.5
MSIE3-90S-2	1.5	2	3480	5.42	3.14	1.81	85.5	85.0	82.4	0.85	0.83	0.76	4.1	2.3	2.8	9.3
MSIE3-90L-2	2.2	3	3498	7.95	4.60	2.65	86.5	86.4	84.6	0.84	0.81	0.75	6.0	2.5	3.0	9.0
MSIE3-100L-2	3	4	3492	10.3	5.99	3.45	88.5	88.1	86.1	0.86	0.84	0.78	8.2	3.0	3.5	9.7
MSIE3-112M-2	4	5.5	3505	13.3	7.72	4.44	88.5	88.3	86.6	0.89	0.87	0.82	10.9	2.5	30	9.6
MSIE3-132S1-2	5.5	7.5	3510	18.3	10.6	6.11	89.5	88.9	86.8	0.88	0.86	0.81	15.0	2.3	2.8	9.6
MSIE3-132S2-2	7.5	10	3516	24.5	14.2	8.17	90.2	89.8	88.0	0.89	0.87	0.82	20.4	2.3	2.8	9.0
MSIE3-132M1-2	9.2	12.5	3516	30.1	17.4	10.0	90.2	90.1	88.3	0.89	0.87	0.82	25.0	2.1	2.8	9.3
MSIE3-132M2-2	11	15	3534	35.6	20.6	11.9	91.0	90.6	88.5	0.89	0.87	0.82	29.7	2.38	4.14	9.1
MSIE3-160M1-2	11	15	3534	35.6	20.6	11.9	91.0	90.6	88.5	0.89	0.87	0.82	29.7	2.38	4.14	9.1
MSIE3-160M2-2	15	20	3534	48.1	27.8	16.0	91.0	91.1	89.5	0.90	0.89	0.84	40.5	2.32	3.77	8.6
MSIE3-160L-2	18.5	25	3528	58.2	33.7	19.4	91.7	91.7	90.2	0.91	0.90	0.85	50.1	2.26	3.73	8.7

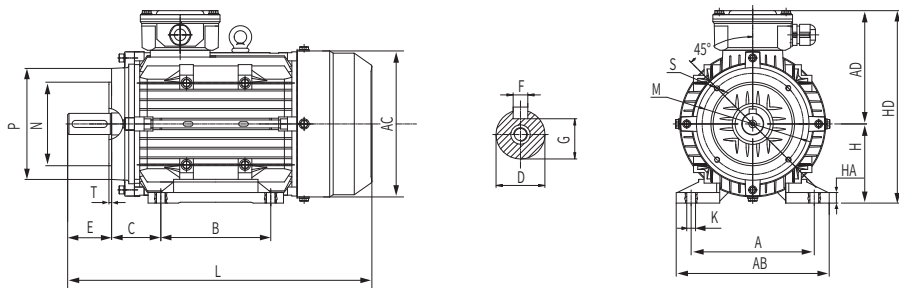
### SPEED 1800RPM 4POLE 60Hz

型号 Model	额定功率 Rated Power		额定转速 Rated Speed rpm	额定电流 Rated Current (A) 60Hz			效率 Efficiency $\eta$ (%) 60Hz			功率因数 Power factor $\cos\phi$			额定 转矩 Tn N.m	堵转转矩 额定转矩 Tst/Tn	最大转矩 额定转矩 Tmax/Tn	启动电流 额定电流 Ist/In
	kW	HP		220V	380V	660V	100%	75%	50%	100%FL	75%FL	50%FL				
MSIE3-802-4	0.75	1	1734	3.11	1.80	1.04	85.5	84.5	80.9	0.74	0.70	0.62	4.1	2.5	2.8	6.6
MSIE3-90S-4	1.1	1.5	1734	4.39	2.54	1.46	86.5	85.5	84.5	0.76	0.72	0.65	6.1	2.5	3	8
MSIE3-90L-4	1.5	2	1728	5.91	3.42	1.97	86.5	86.5	85.8	0.77	0.73	0.66	8.3	2.9	3.2	7.5
MSIE3-100L1-4	2.2	3	1746	8.17	4.73	2.72	89.5	89.6	88.1	0.79	0.76	0.68	12.0	2.6	3.2	9.1
MSIE3-100L2-4	3	4	1746	11.0	6.37	3.67	89.5	88	86.2	0.80	0.77	0.70	16.4	26	3	8.2
MSIE3-112M-4	4	5.5	1746	14.3	8.28	4.77	89.5	89.8	88.5	0.82	0.79	0.72	21.9	2.7	3.2	9.1
MSIE3-132S-4	5.5	7.5	1752	19.0	11.0	6.32	91.7	91.3	90.2	0.83	0.80	0.74	30.0	2.2	2.8	9.0
MSIE3-132M-4	7.5	10	1752	25.6	14.8	8.52	91.7	91.8	91.1	0.84	0.81	0.75	40.9	2.5	2.8	9.3
MSIE3-132M2-4	9.2	12.5	1760	31.0	17.9	10.3	91.7	91.4	90.4	0.85	0.83	0.76	49.9	2.5	3.0	9.6
MSIE3-160M-4	11	15	1760	36.8	21.3	12.3	92.4	92.1	90.9	0.85	0.81	0.75	59.7	2.4	2.63	7.6
MSIE3-160L-4	15	20	1760	49.2	28.5	16.4	93.0	92.8	91.8	0.86	0.82	0.75	81.4	3.12	3.1	9.2

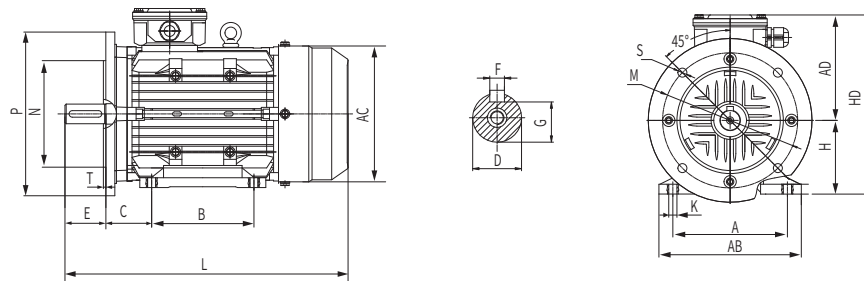
## MSIE3 安装及外形尺寸 Mounting and Overall Dimensions



H80-132 B3



H80-132 B34



H80-132 B35

机座号 Frame Size	安装尺寸 Mounting Dimensions (mm)															外形尺寸 Overall Dimensions(mm)										
	IMB3					IMB14					IMB5					AB	AC	AD	HD	L						
	A	B	C	D	E	F	G	H	K	M	N	P	R	S	T						M	N	P	R	S	T
80M	125	100	50	19	40	6	15.5	80	10	100	80	120	0	M6	3	165	130	200	0	12	3.5	160	159	126	206	298
90S	140	100	56	24	50	8	20	90	10	115	95	140	0	M8	3	165	130	200	0	12	3.5	177	175	132	222	337
90L	140	125	56	24	50	8	20	90	10	115	95	140	0	M8	3	165	130	200	0	12	3.5	177	175	132	222	362
100L	160	140	63	28	60	8	24	100	12	130	110	160	0	M8	3.5	215	180	250	0	14.5	4	205	198	147	247	406
112M	190	140	70	28	60	8	24	112	12	730	110	160	0	M8	3.5	215	180	250	0	14.5	4	222	219	168	280	430
132S	216	140	89	38	80	10	33	132	12	165	130	200	0	M10	3.5	265	230	300	0	14.5	4	256	258	187	319	492
132M	216	178	89	38	80	10	33	132	12	165	130	200	0	M10	3.5	265	230	300	0	14.5	4	256	258	187	319	530
160M	254	210	108	42	110	12	37	160	14.5	215	180	250	0	M12	4	300	250	350	0	18.5	5	302	314	245	405	619
160L	254	254	108	42	110	12	37	160	14.5	215	180	250	0	M12	4	300	250	350	0	18.5	5	302	314	245	405	663